

U.are.U[®] 4000 USB Fingerprint Sensor



Product Description

The **U.are.U 4000** is a USB fingerprint sensor designed for use with DigitalPersona's U.are.U applications and developer tools.

The user simply places his/her finger on the glowing sensor window, and the device quickly and automatically captures the fingerprint image. On-board electronics calibrate the device and encrypt the image data before sending it over the USB interface.

DigitalPersona™ products utilize optical fingerprint scanning technology for superior image quality and product reliability. The **U.are.U 4000** Sensor and DigitalPersona recognition software have an unmatched ability to recognize even the most difficult fingerprints.

Applications

- Desktop PC security
- Mobile PCs
- Custom applications
- Home and Office Use

Features

- Small form factor
- Excellent image quality
- Encrypted image data
- Latent print rejection
- Counterfeit image rejection
- Rotation invariant
- Rugged
- Works well with dry, moist, or rough fingerprints
- Challenge response link
- Compatible with all U.are.U applications
- Drivers support Windows 98, Me, NT 4.0, 2000, XP

Key Specifications

- Pixel resolution:
 - 512 dpi (average x,y over the field)
- Image capture area:
 - 14.6 mm (nominal width at center)
 - 18.1 mm (nominal length)
- 8-bit grayscale (256 levels of gray)
- Sensor size: approx. 79 mm x 49 mm x 19 mm
- Compatible with USB specifications 1.0, 1.1, 2.0

Technical data subject to change without notice
DigitalPersona Incorporated, 805 Veterans Blvd. Suite 301, Redwood City, CA USA 94063
Tel: (650) 261-6070 Fax: (650) 261-6079
www.digitalpersona.com email: sales@digitalpersona.com
MC-032-110702

DigitalPersona and U.are.U are trademarks of DigitalPersona, Inc. All other trademarks are the property of their respective owners. Copyright © 2002 by DigitalPersona Incorporated. All Rights Reserved.

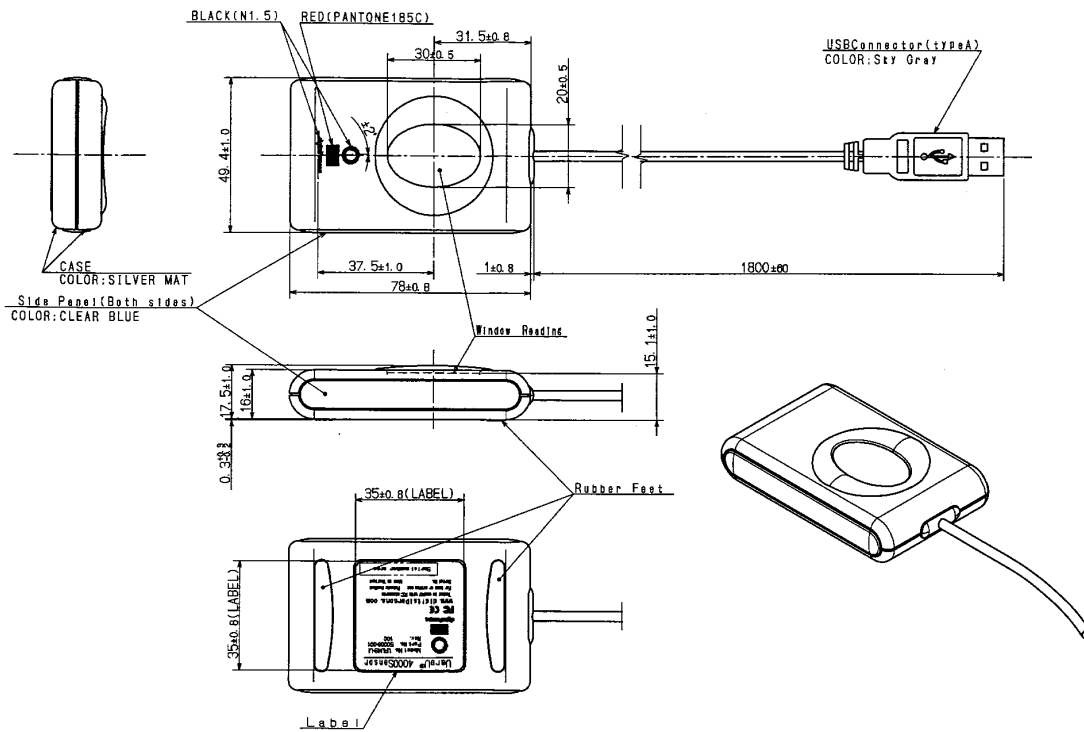
Part Numbering:

Part Number	Description
50006-001	DigitalPersona USB fingerprint sensor

Ratings:

Supply Voltage	5.0V +/- .25V supplied by USB
Supply Current – scanning	170 mA (typ.)
Supply Current – idle mode	120 mA (typ.)
Supply Current – suspend mode	2 mA (max.)
ESD Susceptibility	>15 KV
Temperature, Operating	5° - 35° C
Humidity, Operating	20% - 80% non-condensing
Temperature, Storage	-10° - 60° C
Humidity, Storage	20% - 90% non-condensing
Image data	8-bit grayscale
Standards Compliance	FCC Class B, CE, VCCI

Mechanical Specification:



Technical data subject to change without notice
 DigitalPersona Incorporated, 805 Veterans Blvd. Suite 301, Redwood City, CA USA 94063
 Tel: (650) 261-6070 Fax: (650) 261-6079
 www.digitalpersona.com email: sales@digitalpersona.com
 MC-032-110702

DigitalPersona and U.are.U are trademarks of DigitalPersona, Inc. All other trademarks are the property of their respective owners. Copyright © 2002 by DigitalPersona Incorporated. All Rights Reserved.